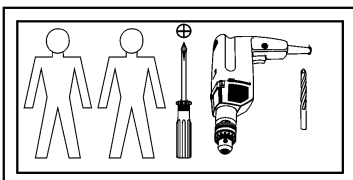
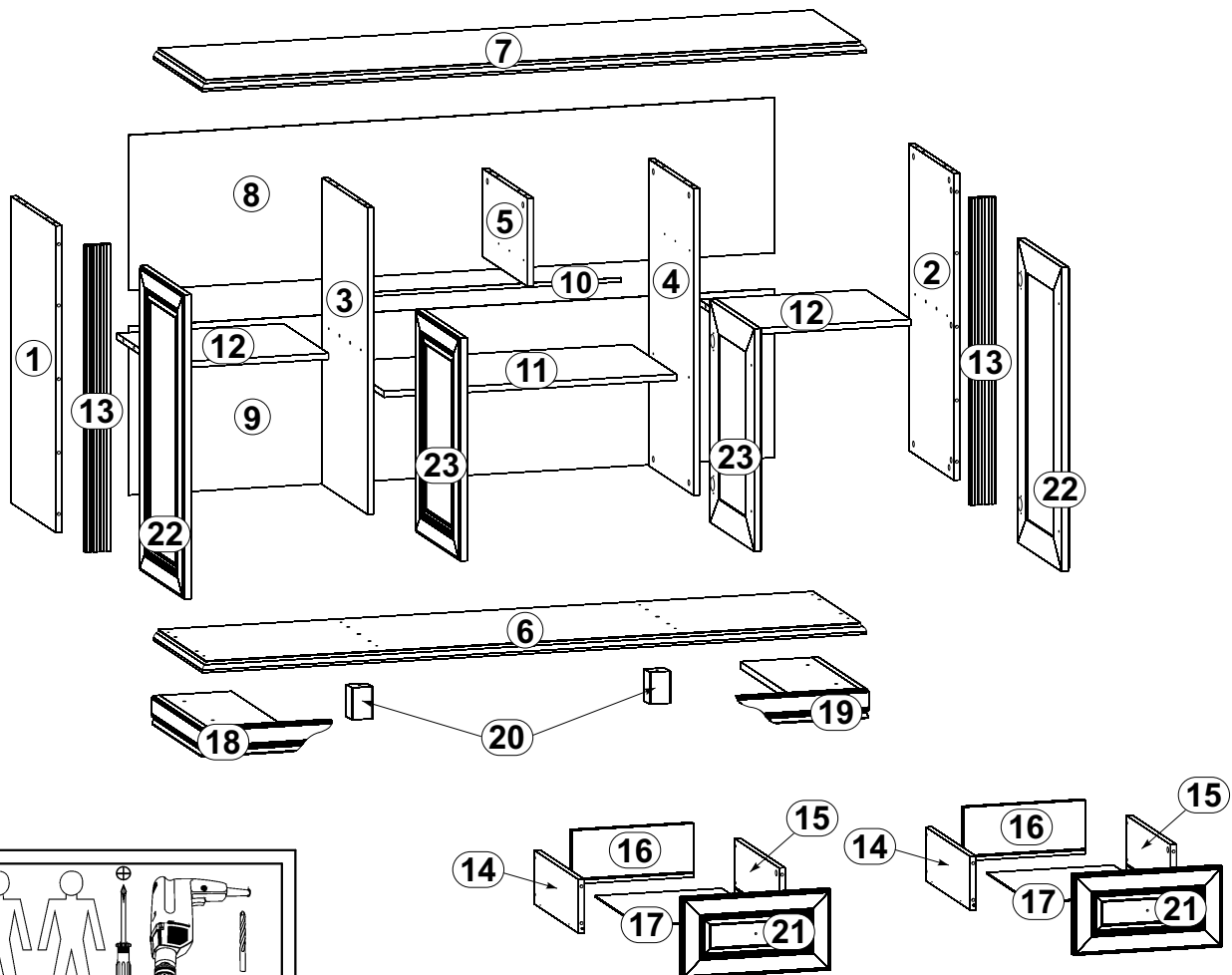
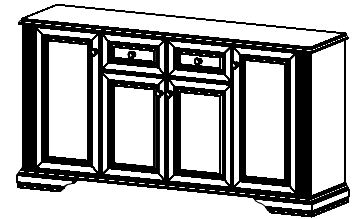


НАЙТ

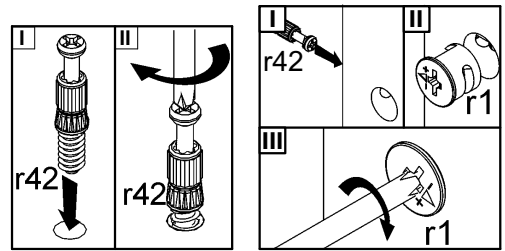
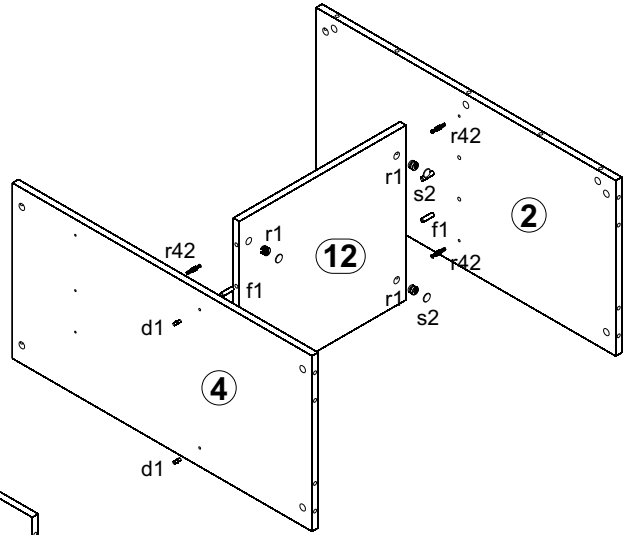
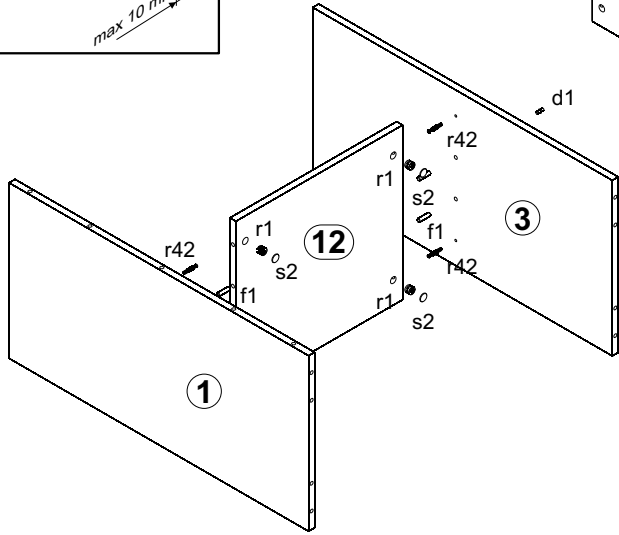
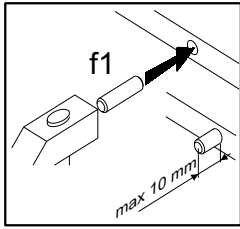
Комод_4D2S

A	B	C	D	A	B	C	D		
1	NT1-118	800	406	2/4	12	NT1-321	445	404	2/4
2	NT1-119	800	406	2/4	13	NT1-515	800	68	2/4
3	NT1-120	800	406	2/4	14	NT1-551	400	140	2/4
4	NT1-121	800	406	2/4	15	NT1-552	400	140	2/4
5	NT1-142	230	406	2/4	16	NT1-532	324	140	2/4
6	NT1-234	1772	440	1/4	17	NT1-923	399	339	2/4
7	NT1-235	1772	440	1/4	18	NT1-579	446	350	3/4
8	NT1-924	1725	405	1/4	19	NT1-580	446	350	3/4
9	NT1-925	1725	440	1/4	20	NT1-590	80	50	3/4
10	LH-779	779	14	1/4	21	NT1-022	210	396	4/4
11	NT1-320	780	404	2/4	22	NT1-024	794	396	4/4
					23	NT1-025	581	396	4/4

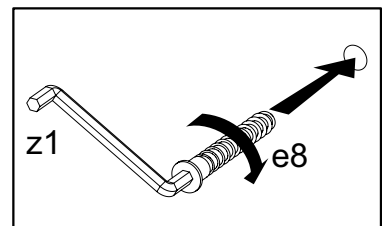
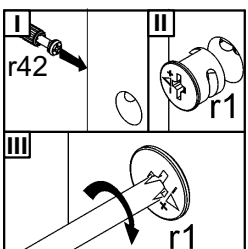
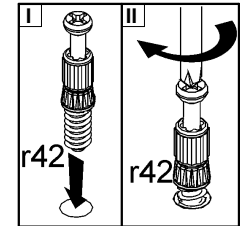
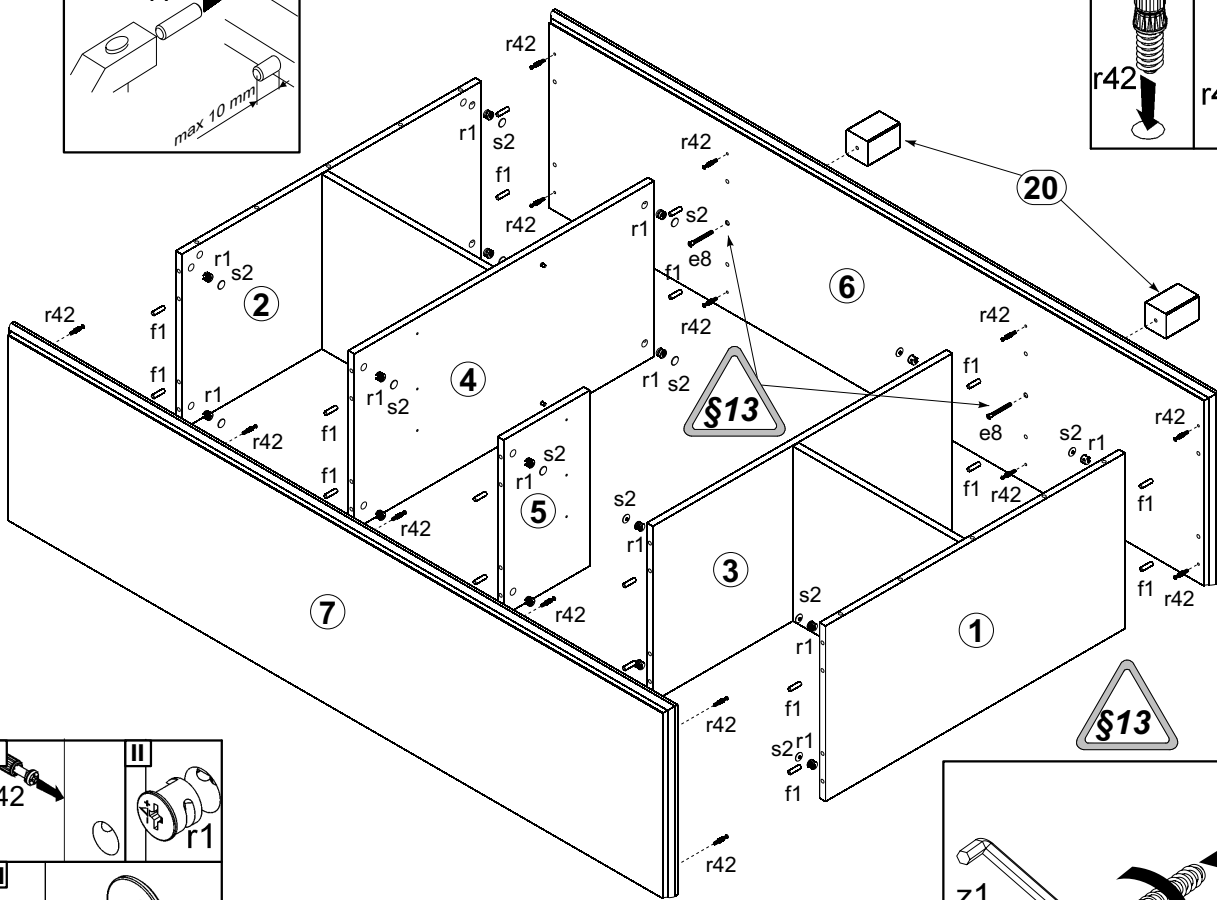
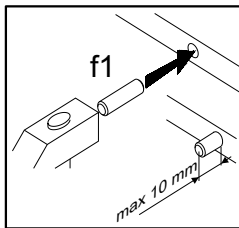


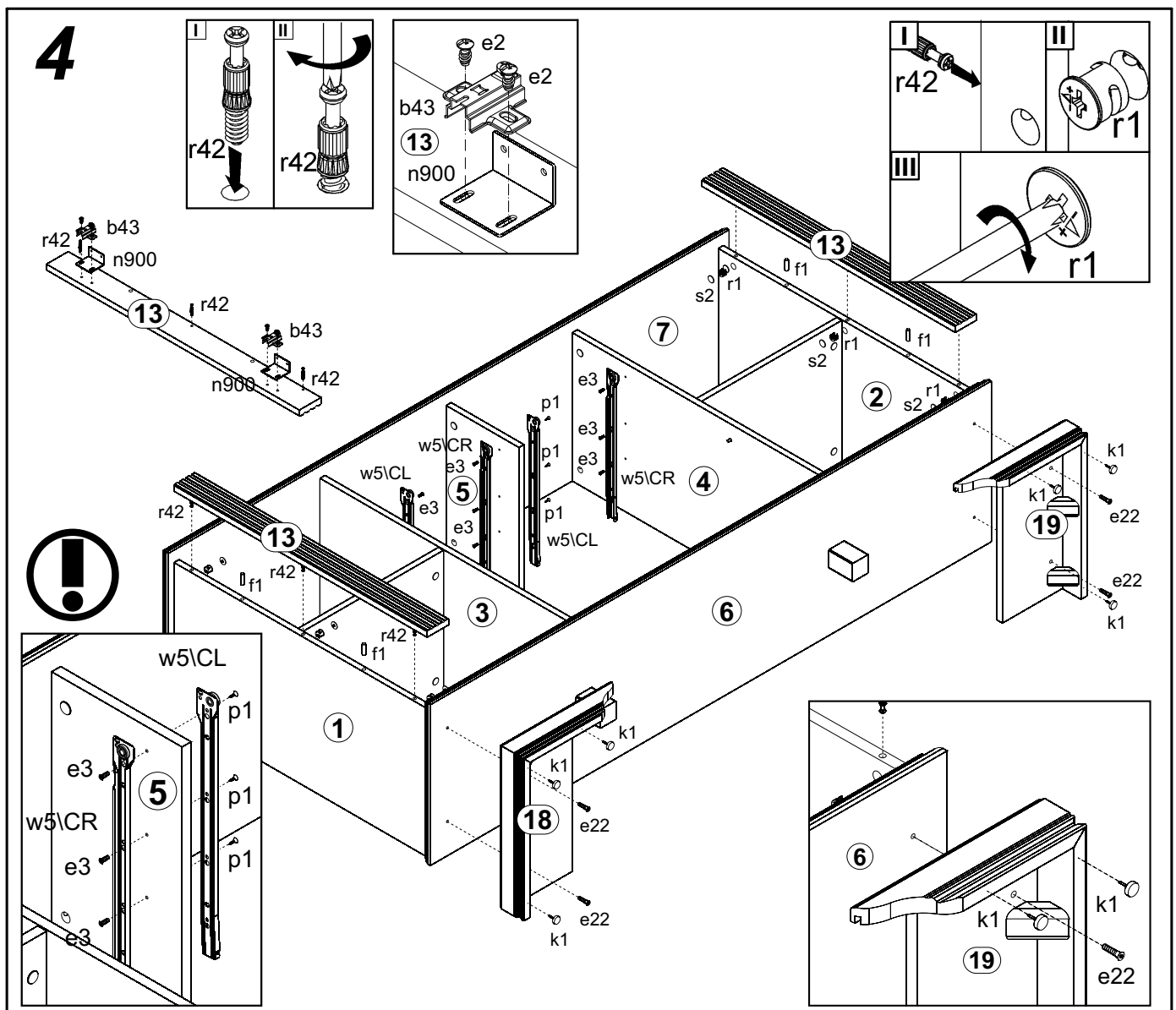
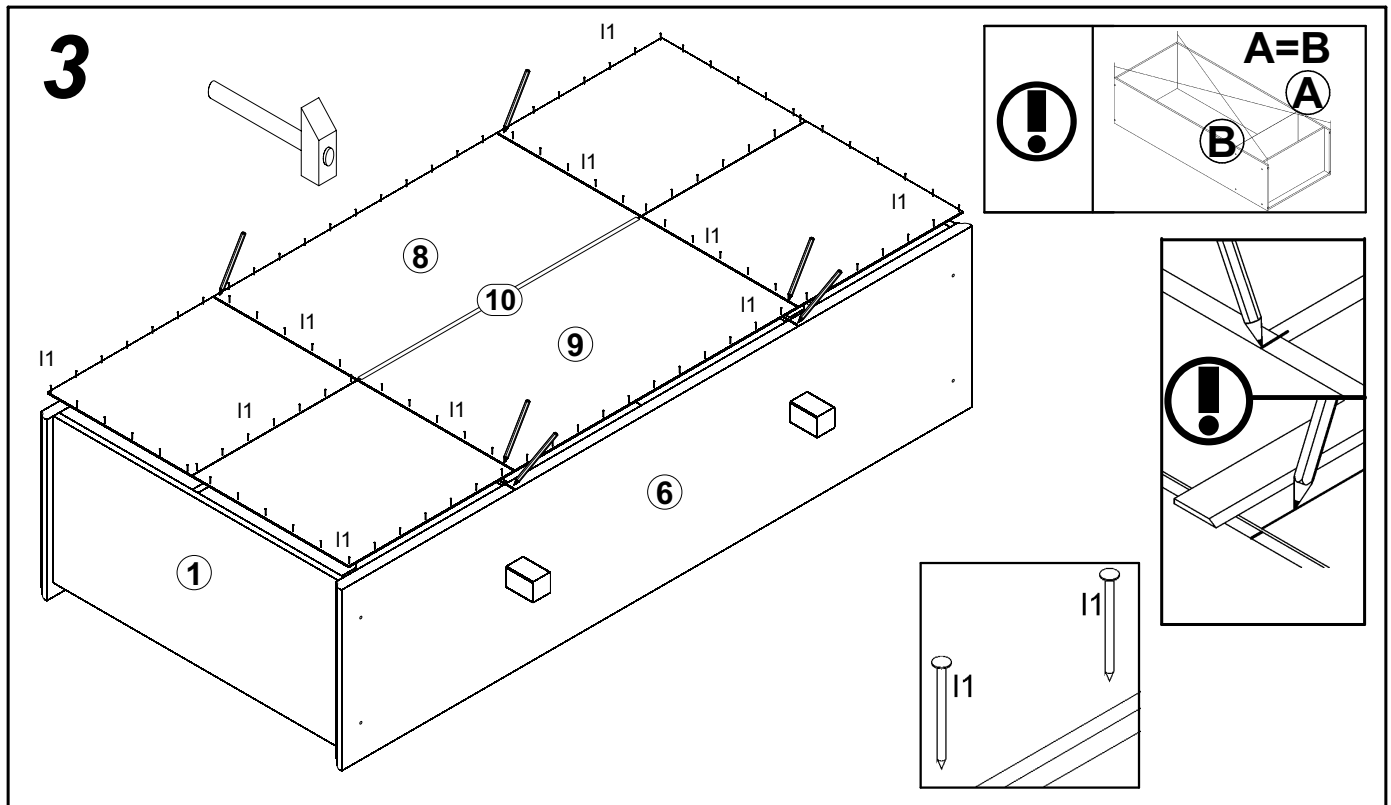
4x a68	4x a99	4x b43	4x b33	6x c409	4x φ5x17 mm d1	8x φ6.3x13 mm e2	9x φ6x13 mm e3	2x Ø7x60 mm e8
4x Ø7x28mm e22	8x φ5x50 mm e32	6x k1	90x l1	30x φ8x30 mm f1	2x M4x20 mm j1	4x M4x30 mm j6	1x n26'	4x 42x22 mm n900
3x Ø3.5x13 mm p1	8x φ3.5x13 mm p5	1x φ3.5x16 mm p38	16x φ3.5x15 mm p51	8x φ3x12 mm p54	40x φ15x12mm #16 r1	40x 20/11 r42	33x ø16 s2	2x 400 mm w5ICL
2x 400 mm w5ICR	2x 400 mm w5IDL	2x 400 mm w5IDR	1x z1					

1

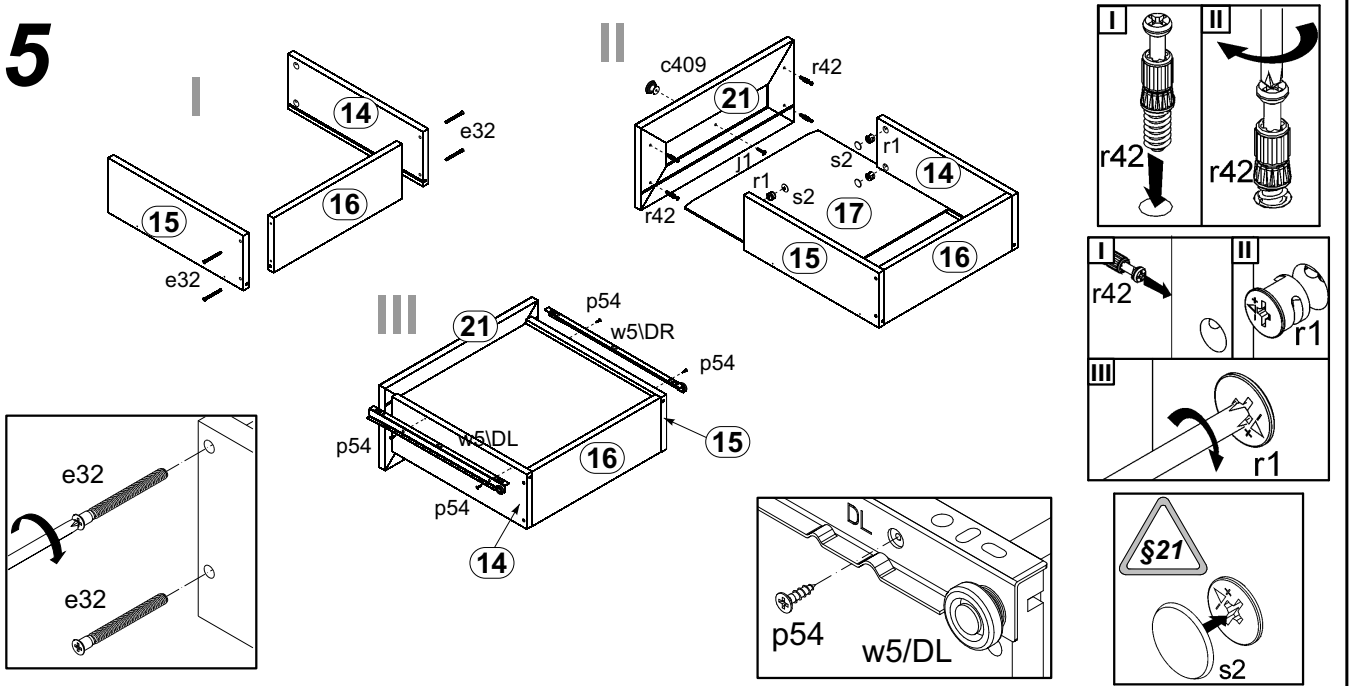


2





5



6

§18

